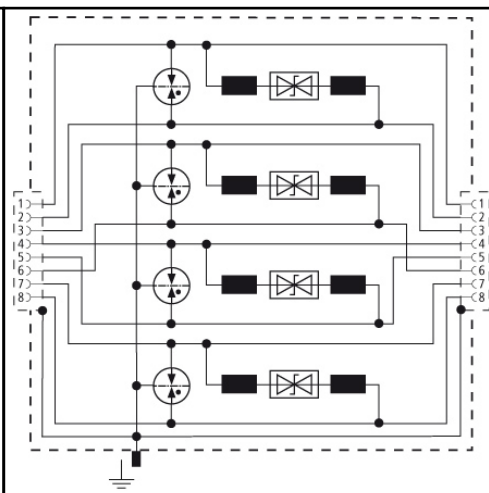


Dimension drawing DPA CLE



Protection for all pairs due to powerful gas discharge tubes and a filter matrix adapted to each pair.



Universal SPD for Industrial Ethernet and similar applications in structured cabling systems according to class E up to 250 Hz. Fully shielded adapter with sockets for DIN rail mounting

- Ideal for retrofitting, with protection for all lines
- Cat. 6 in channel (class E)
- For use according to the lightning protection zones concept at boundaries  $O_B 2$  and higher

DPA M CLE RJ45B 48

SPD class	TYPE 2 Pt
Nominal voltage [U <sub>N</sub> ]	48 V
Max. continuous operating d.c. voltage [U <sub>c</sub> ]	48 V
Max. continuous operating a.c. voltage [U <sub>c</sub> ]	34 V
Nominal current [I <sub>N</sub> ]	1 A
C2 Nominal discharge current (8/20 μs) line-line [I <sub>n</sub> ]	150 A
C2 Total nominal discharge current (8/20 μs) line-PG [I <sub>n</sub> ]	10 kA
Voltage protection level line-line for I <sub>n</sub> C2 [U <sub>p</sub> ]	≤ V
Voltage protection level line-line for 1 kV/μs C3 [U <sub>p</sub> ]	≤ 180 V
Voltage protection level line-PG for 1 kV/μs C3 [U <sub>p</sub> ]	≤ 500 V
Capacitance line-line [C]	≤ 30 pF
Capacitance line-PG [C]	≤ 25 pF
Operating temperature range	-40°C ... +80°C
Degree of protection	IP 10
For mounting on	35 mm DIN rail acc. to EN 60715
Connection input/output	RJ45 socket / RJ45 socket
Pinning	1/2, 3/6, 4/5, 7/8
Earthing by	35 mm DIN rail acc. to EN 60715
Enclosure material	zinc die casting
Colour	bare
Test standards	IEC 61643-21
Accessories	fixing material

Ordering information

Type	DPA M CLE RJ45B 48
Part No.	929 121
Packing unit	1 pcs.

We reserve the right to modify design, technology, dimensions, weights and materials according to technical progress. Illustrations are non-binding. Pictures may differ from the modules described.